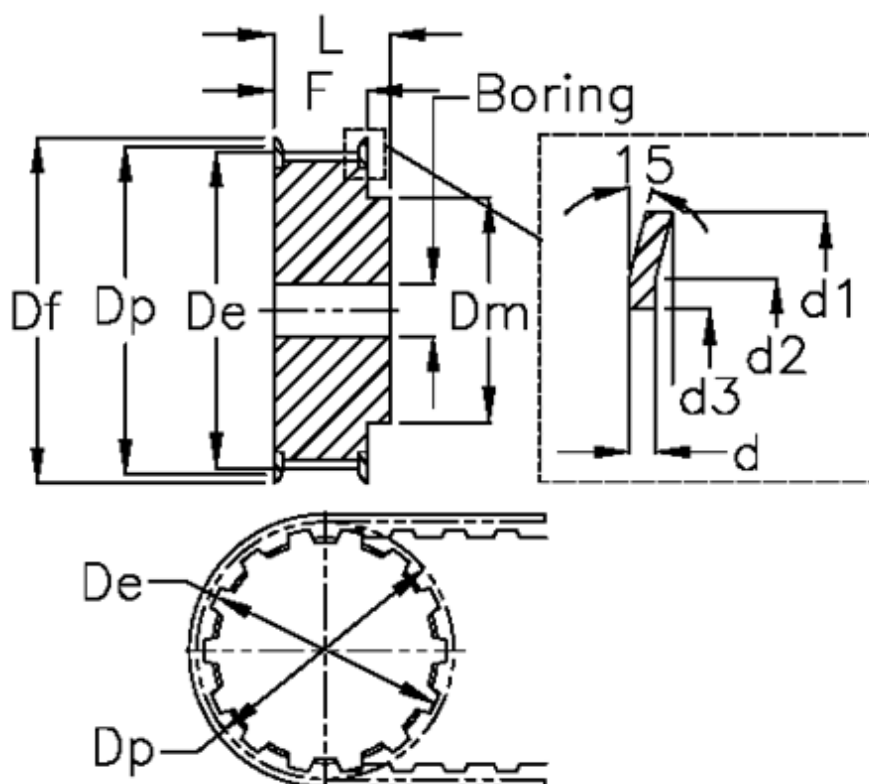


Article number: 604146030037

Description: Timing belt pulley with hub
30 XL 037

Measures



d = 1	F = 14.3	Width = XL 037
d1 = 64	Flange type = F24	
d2 = 57	L = 22.2	
d3 = 47	Max bore = 23	
De = 48	Pitch = 1/5"	
Df = 64	Pre-drilled = 6	
Dm = 34.9	Tooth number = 30	
Dp = 48.51	Weight = 0.19	